



Product Change Notification

Current Date: 16-Sep-2025

TE Connectivity

Product Change Notification: PCN-25-256569

PCN Date: 11-SEP-25

Customer: Future Electronics(0000080100)

Location: WORLDWIDE

Agreement: Agreement Unknown

TE would like to inform you of the following change(s) to the listed TE Connectivity Product. In case of any further questions about this change(s), please contact your TE Connectivity Sales Engineer. Affected part, drawing and/or specification numbers are listed on the attached sheet(s).

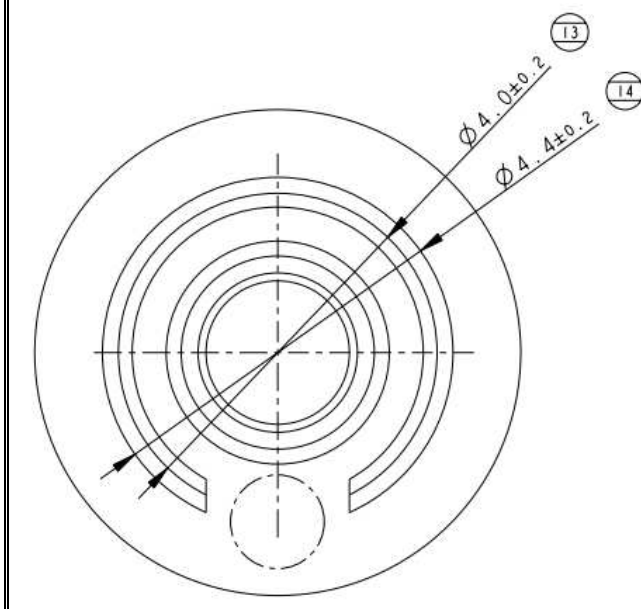
Product Description: (Text limited to 120 characters)

Single Wire Seal

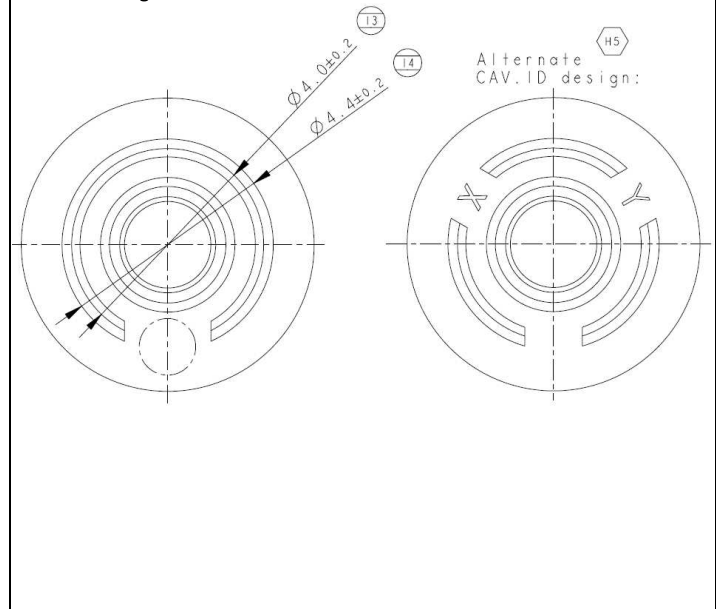
General Description of Changes

Adding CD 281934 Alternate CAV-ID design

End-face: no CAV.IDs.



Alternate design for CAV.IDs.



Reason for Changes:

Adding CD 281934 Alternate CAV-ID design

PCN Attributes:

Product Category:	Kind of Change:
Seals And Cavity Plugs	Drawing
Change Feature:	Potential Customer Impact:
Drawing adapted to part change	
Remarks:	

Estimated Dates:

Last Order Date (Obsolete Parts Only):	First Ship Date of Changed Items (Changed Parts Only):
	12-SEP-2025
Last Ship Date of Changed Items (Obsolete Parts Only):	Last Date for Mixed Shipments: (Changed Parts Only):
	No Mixed Shipments
Effectivity Date:	Date of First Samples:

The documents listed below are being modified. Related parts that are not explicitly listed on this PCN are not being modified or discontinued as per the PCN. The Last Order Date, Last Ship Date, First Date to Ship Changed Parts and last date for Mixed Shipments apply only to parts explicitly listed on this PCN.

Note: This PCN contains only document changes, these changes do not affect the form, fit or function of the parts referenced.

Customer Drawing(s) Being Modified:

Drawing Number	Related Part Number	Customer Part Number	Affected Revision
281934	281934-2, 281934-3		H4

Customer: Future Electronics Inc. (1319888)

Location: Singapore

Agreement Number: Agreement Unknown

The documents listed below are being modified. Related parts that are not explicitly listed on this PCN are not being modified or discontinued as per the PCN. The Last Order Date, Last Ship Date, First Date to Ship Changed Parts and last date for Mixed Shipments apply only to parts explicitly listed on this PCN.

Customer Drawing(s) Being Modified:

Drawing Number	Related Part Number	Customer Part Number	Affected Revision
281934	281934-2, 281934-3		H4

Customer: Future Electronics EDC Services (2944409)

Location: Leipzig

Agreement Number: Agreement Unknown

The documents listed below are being modified. Related parts that are not explicitly listed on this PCN are not being modified or discontinued as per the PCN. The Last Order Date, Last Ship Date, First Date to Ship Changed Parts and last date for Mixed Shipments apply only to parts explicitly listed on this PCN.

Customer Drawing(s) Being Modified:

Drawing Number	Related Part Number	Customer Part Number	Affected Revision
281934	281934-2		H4

Customer: Future Electronics Inc (1290208)

Location: Southaven

Agreement Number: FUTAGR001

The documents listed below are being modified. Related parts that are not explicitly listed on this PCN are not being modified or discontinued as per the PCN. The Last Order Date, Last Ship Date, First Date to Ship Changed Parts and last date for Mixed Shipments apply only to parts explicitly listed on this PCN.

Customer Drawing(s) Being Modified:

Drawing Number	Related Part Number	Customer Part Number	Affected Revision
281934	281934-2		H4

Customer: Future Electronics Inc. (1319888)

Location: Singapore

Agreement Number: Agreement Unknown

The documents listed below are being modified. Related parts that are not explicitly listed on this PCN are not being modified or discontinued as per the PCN. The Last Order Date, Last Ship Date, First Date to Ship Changed Parts and last date for Mixed Shipments apply only to parts explicitly listed on this PCN.

Customer Drawing(s) Being Modified:

Drawing Number	Related Part Number	Customer Part Number	Affected Revision
281934	281934-2, 281934-3		H4